

**XEROX**<sup>®</sup>

Technology | Document Management | Consulting Services

Laser Printer

The  
**new** generation  
of A3 **network**  
**printers**



Now you can get your work done faster, easier and with high image quality up to A3 size to give your documents the professional look. On top of that, you'll also enjoy many thoughtful features, greater value and networking capabilities in a compact and sleek design.



# DocuPrint 255

**Speed, image quality, versatility and value all in a compact printer.**

## Excellent Performance

Fast and reliable, you can now enjoy higher productivity and efficiency with outstanding image quality every time, all the time.

- True 1200x1200 dpi resolution at rated speed.
- High performance controller with the 256 MHz RISC PowerPC 603 processor that excels at handling multiple print jobs.
- Greatly reduced warm-up time is made possible with the Fuji Xerox unique Quick Fuser Technology.
- Extremely high capacity printing is possible with a monthly duty cycle of up to 50,000 prints.

## Increased Convenience

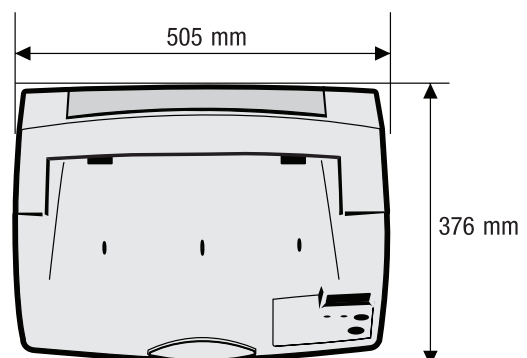
Enjoy all the benefits of a top-performance printer, including added features that will make performing beyond expectations a breeze.

- Compact design of this business-use printer allows it to be installed in the same space as an A4-accommodated printer while supporting A3 printouts.
- Uninterrupted printing in large workgroups is possible with its ability to continuously feed up to 1,800 sheets of paper.
- A host of paper sizes and thicknesses that can be loaded in the universal tray.

## All-around Affordability

With guaranteed superior performance and higher productivity come substantial savings with lower cost all-around.

- Toner consumption is reduced by 30% with the Toner Save Mode.
- Lowest power consumption in its class in sleep mode and conforms to International Energy Star Programme. The warm-up time from power-on or sleep mode is also shortened so you save energy and reduce time-cost simultaneously.
- Low running cost is also made possible with the high capacity toner allowing up to 10,000 pages.





### Range of Enriched Features

The DocuPrint 255 comes with a host of useful features that give you more versatility and advantage than you would expect.

- **Duplex Print Module** allows booklet printing by automatically arranging pages in sequence.
- **Electronic Sort** allows data to be read into memory so that subsequent copies can be read directly, printed and collated speedily.
- **Secure Print** function protects documents from undesired scrutiny by storing data on the hard disk until unlocked with a password.
- **IP Address Restriction** ensures output control and may be set individually or for a group.
- **Mail Notification Service** alerts you to situations like toner or paper shortage and sends the message to a set recipient.



### Easy Network Management and Support

Designed for today's intelligent office, the DocuPrint 225 is engineered with a wide compatibility and easy setup for almost any network.

- Compatible with various office environments like TCP/IP, with NetWare (IPX/SPX), NetBEUI, EtherTalk (PostScript environment) and other protocols.
- Installation and set-up is easy with PCL Driver Utility.
- Operability on a network is enhanced with CenterWare Internet Services.



## Specifications

Performance		DocuPrint 255
Print Speed (A4)		25 pages per minute
Duplex†		Full speed
Warm up time		18 seconds or less
First Page Out Time		5.6 seconds
Print resolution		1200x1200 dpi / 600x600 dpi / 2400 dpi (9600x600 dpi) or equivalent by the IE function
Processor		PowerPC 603e-266 MHz
Memory (Std/Max)		64 MB / 320 MB
Hard Disk†		20 GB
Monthly Duty Cycle (pages)		50,000
Media Handling		
Media Size	Tray 1	A3, A4, A5, B4, B5, Letter, Legal (8.5x14"), Envelope, Long-size (900 mm max) Custom (76.2 to 304.8 mm x 98.4 to 432 mm)
	Tray 2	A3, A4, A5, B4, B5, Letter, Legal (8.5x14"), Envelope Custom (76.2 to 297 mm x 98.4 to 431.8 mm)
	Duplex Print†	A3, A4, A5, B4, B5, Letter, Legal (8.5x14") Custom (100 to 304.8 mm x 139.7 to 431.8 mm)
Media Type	Tray	Plain/recycled (60 to 90 gsm) / Thick (90 to 216 gsm), exclusive OHP transparency, Envelope and exclusive label paper, Postcard (190 gsm)
	Duplex Print†	Plain/recycled (60 to 90 gsm) / Thick (190 gsm)
Media Input Capacity	Tray 1	150 sheets
	Tray 2	500 sheets
	Maximum	1,800 sheets
Media Output Capacity	Standard	500 sheets (face down)
	Face-up Tray†	70 sheets
	Offset Catch Tray†	500 sheets
Network/Software		
Fonts		PCL: 81 Agfa fonts + OCR-B, PS: 136 Adobe fonts†
PDL		PCL 6, PCL 5e, PS 3†, HPGL2 Emulation, ESC/P Emulation
Support Operating System		Windows 95, 98, Me, NT 4.0, 2000, XP, Windows Server 2003, Mac OS (7.61 and above)†
Connectivity		RS232C, IEEE1284, USB, Ethernet 100Base-TX/ 10Base-T
Protocol		lpd, NetWare, SMB, Port9100, IPP, EtherTalk†
Operating		
Power Supply		220-240V, 50/60 Hz
Average Power Consumption		650W
Dimension / Weight		505(W) x 376(D) x 390(H) mm / 22 Kg

Consumables	
Print Cartridge (up to 10,000 pages)	113R00247
Maintenance Kit, 220v	675K39611
Options†	
Duplex Module	084K22926
PostScript Kit	675K06702
A3 Universal 500-sheet Feeder	675K12277
Rear Face-up Tray	084K18901
Offset Catch Tray	084K18306
Multi Bypass Tray	084K24951
20 GB Hard Disk	675K06673
128 MB Memory	675K06721
256 MB Memory	675K06731

† Optional

the  
**smart**  
alternative

